

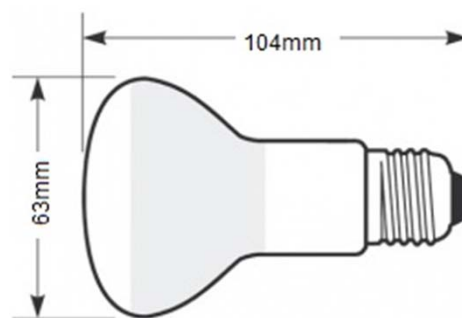


ecoLED

PAR 20 (R63) Light 6w

E27 PAR 20 (R63) Light 6w that replaces an 50w R63 incandescent

Product Codes	E27p-6w14cwR63
	E27p-6w14wwR63
Power (watts)	5.5
Operating voltage	85-265v
Lamp cap	E27
Expected Life (hours)	30000
Light output (lumens)	450 (cw) / 420 (ww)
Colour temperature	6000k Cool White 2900k Warm White
Colour rendering index	>80
Beam angle (degrees)	120°
Dimming range	Non-dimmable
Replaces : Incandescent	50 w
Replaces : Halogen	N/A
Replaces : CFL	15 w
Dimensions (l x b x h) wt.	104 x 63 x 63mm (62g)



This high quality LED PAR 20 (R63) Light that is a replacement for a 85-265v incandescent or CFL PAR 20 (R63) light and uses up to 8 times less electricity than it's retrofit alternative, comes with a 1+ year warranty.

The Warm White option of this PAR 20 (R63) closely replicates the light of a 45w incandescent whereas the Cool White more closely replicates a 15w CFL PAR 20 (R63)

This bulb uses 35 SMD 2835 Epistar LED chips and a translucent diffuser lens to give a very even light spread throughout it's 120° beam angle.

The life expectancy of this globe is 30000 hours and is CE & RoHS compliant.