

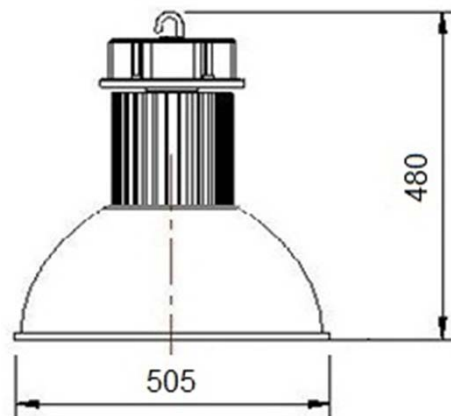


ecoLED

Bay Lights - Silver Edition

High / Low Bay Lights 100-200w Silver Edition Cool White

Product Codes	HBYS-100w2cw
	HBYS-150w3cw
	HBYS-200w4cw
Power (watts)	HBYS-100w2cw = 100w
	HBYS-150w3cw = 158w
	HBYS-200w4cw = 200w
Operating voltage	85-265v
Lamp cap	High/Low
Expected Life (hours)	30000
Light output (lumens)	HBYS-100w2cw = 7800
	HBYS-150w3cw = 11800
	HBYS-200w4cw = 16000
Colour temperature	6000k Cool White
Colour rendering index	>75
Beam angle (degrees)	60° or 120°
Dimming range	Non-dimmable
Replaces	HBYS-100w2cw = 250w FL
	HBYS-150w3cw = 400w FL
	HBYS-200w4cw = 500w FL
Dimensions (l x b x h) wt.	x x mm (g)
	505 x 505 x 480mm (4.95g)
	550 x 500 x 500mm (8.6g)



These value for money LED Bay Lights that replace 85-265v conventional Bay Lights and which use up to 3 times less electricity than their retrofit alternatives, come with a 1 year warranty.

The HBYS-150w3cw option of this Bay closely replicates the light of a 400w Sodium or Mercury Vapour whereas the HBYS-200w4cw easily replicates a 400W Metal Halide.

These LED's use COB Hualei LED chips and a transparent glass lens to give a very even light spread throughout their 90° beam angle. The aluminium dome reflector centrally redirects light spill beyond 120°

These Bay Lights can be ordered as Low or High Bays with beam angles of 60° or 120°. They have no dangerous components (like glass shards) that can drop into processing plants or foodstuff.

Replacing components like drivers, fans and chips are DIY capable, although these Bays' lifespan is relatively long and the repair labour cost may justify replacement after their expected life.

The life expectancy of these Bay Lights are 30000 hours and they are RoHS compliant.

Bay S